

T Anchor

PROJECT DETAILS

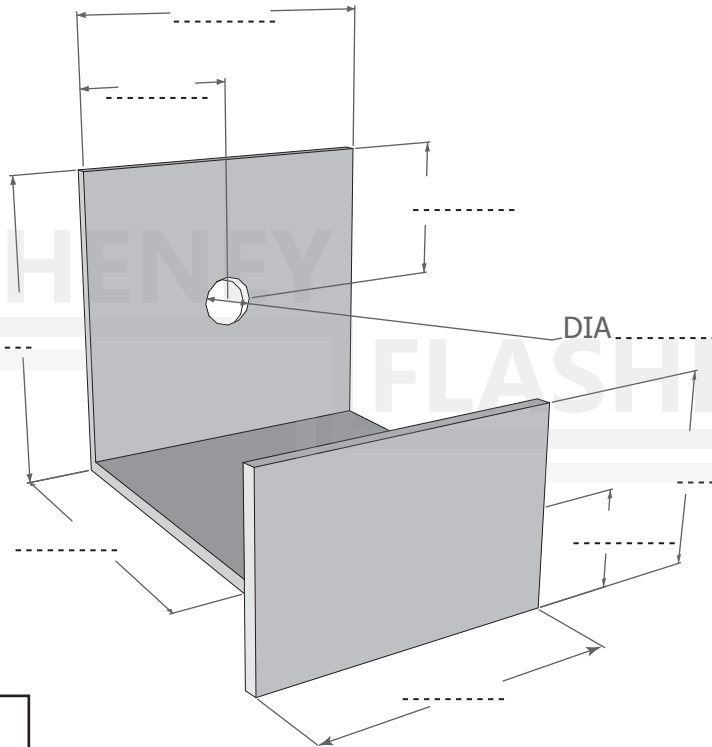
Project Name: _____
Location: _____

Cheney Flashing, LLC
12100 Baltimore Avenue, Ste. 4
Beltsville, MD 20705

T: (301) 931- 2556 F: (301) 931-2559
www.cheneyflashing.com

CONTACT INFORMATION

Name: _____
Company: _____
Phone: _____ Email: _____



DRAWINGS NOT TO SCALE

QUANTITY: _____

MATERIAL

- | | | |
|---|---|--|
| <input type="checkbox"/> TYPE 304 Stainless Steel | <input type="checkbox"/> G90 Galvanized | <input type="checkbox"/> Hot Dipped Galvanized |
| <input type="checkbox"/> TYPE 316 Stainless Steel | <input type="checkbox"/> A36 | <input type="checkbox"/> Other _____ |

THICKNESS

- 12 ga./2.78 mm 1/8"/3.2 mm 3/16"/4.7 mm 1/4"/6.3 mm Other _____

NOTES