

# Notched Anchor

### PROJECT DETAILS

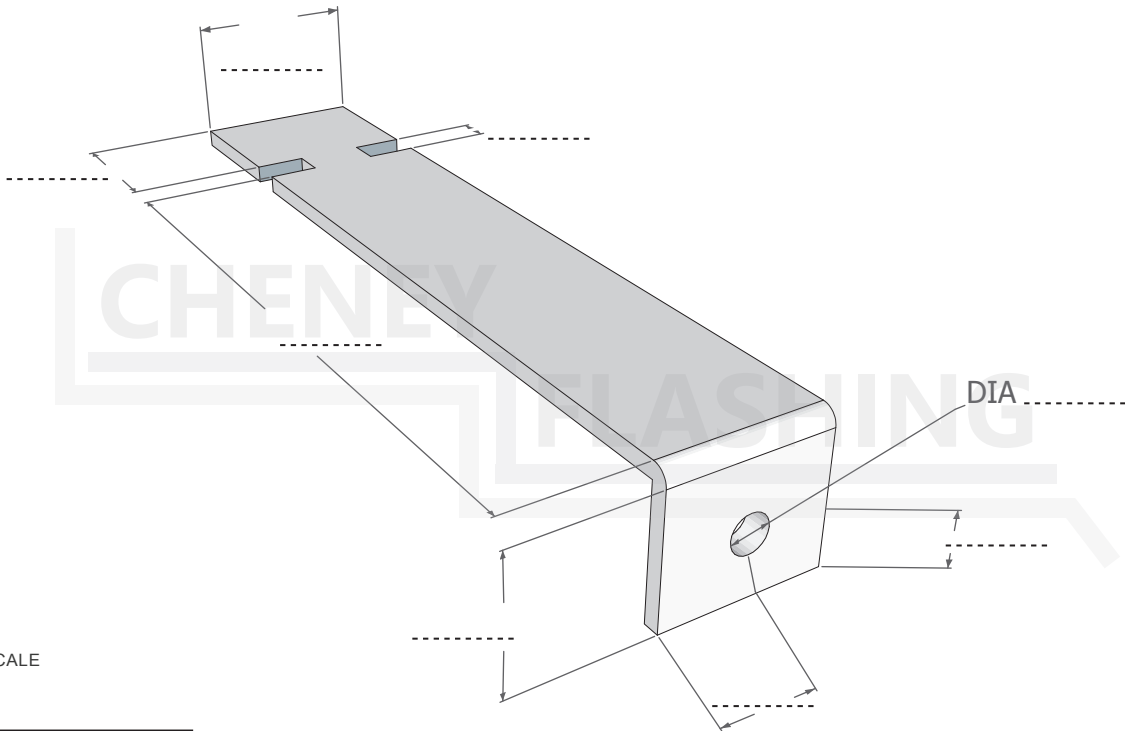
Project Name: \_\_\_\_\_  
Location: \_\_\_\_\_

Cheney Flashing, LLC  
12100 Baltimore Avenue, Ste. 4  
Beltsville, MD 20705

T: (301) 931- 2556 F: (301) 931-2559  
[www.cheneyflashing.com](http://www.cheneyflashing.com)

### CONTACT INFORMATION

Name: \_\_\_\_\_  
Company: \_\_\_\_\_  
Phone: \_\_\_\_\_ Email: \_\_\_\_\_



DRAWINGS NOT TO SCALE

**QUANTITY:** \_\_\_\_\_

### MATERIAL

<input type="checkbox"/> TYPE 304 Stainless Steel	<input type="checkbox"/> G90 Galvanized	<input type="checkbox"/> Hot Dipped Galvanized
<input type="checkbox"/> TYPE 316 Stainless Steel	<input type="checkbox"/> A36	<input type="checkbox"/> Other _____

### THICKNESS

12 ga./2.78 mm     1/8"/3.2 mm     3/16"/4.7 mm     1/4"/6.3 mm     Other \_\_\_\_\_

### NOTES

\_\_\_\_\_