

Split Tail Anchor

PROJECT DETAILS

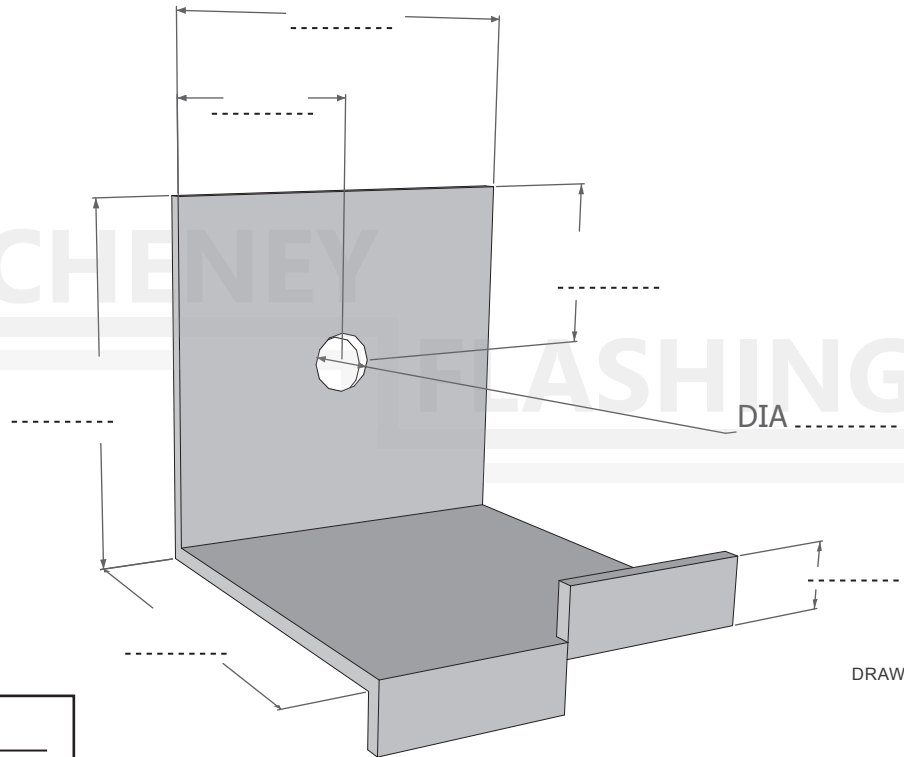
Project Name: _____
Location: _____

Cheney Flashing, LLC
12100 Baltimore Avenue, Ste. 4
Beltsville, MD 20705

T: (301) 931- 2556 F: (301) 931-2559
www.cheneyflashing.com

CONTACT INFORMATION

Name: _____
Company: _____
Phone: _____ Email: _____



QUANTITY: _____

MATERIAL

<input type="checkbox"/> TYPE 304 Stainless Steel	<input type="checkbox"/> G90 Galvanized	<input type="checkbox"/> Hot Dipped Galvanized
<input type="checkbox"/> TYPE 316 Stainless Steel	<input type="checkbox"/> A36	<input type="checkbox"/> Other _____

THICKNESS

<input type="checkbox"/> 12 ga./2.78 mm	<input type="checkbox"/> 1/8"/3.2 mm	<input type="checkbox"/> 3/16"/4.7 mm	<input type="checkbox"/> 1/4"/6.3 mm	<input type="checkbox"/> Other _____
---	--------------------------------------	---------------------------------------	--------------------------------------	--------------------------------------

NOTES
